



Linear Slot Diffuser Plenums

5000 Series

Linear Slot Diffuser Plenums

For 5000 Series Linear Slot Diffusers

The Advanced Air 5000 Series Diffuser Plenums are designed specifically to fit the Series 5000 'Ice Tong' Linear Slot Diffusers.

They have been designed for flexible duct connection with a model to suit each of the various frame/sub-frame 5000 series combinations available. For drywall ceiling mounted applications the plenums are shipped separately. Unless there is access to the ceiling space, the plenum is intended to be installed during the drywall installation. Most applications of this type utilise concealed "Goal Post" brackets on the 5000 Series. The plenums may be supplied with a hemmed leg into which the mounting straps snap or they locate in extrusion slots on sub-frames as the linear is drawn up to the plenum from below the ceiling. For lay-in T-Bar applications, the plenums are directly attached to the linear section and are shipped factory mounted as standard, saving on handling and site installation time.

The Series 5000 Plenums save on-site fabrication and site labour. When room lay-out changes occur, the plenums can be simply relocated to satisfy the re-arrangement of air distribution requirements.

The Series 5000 Plenums maximise the Series 5000's performance. The airflow discharge maintains a horizontal pattern that is close and tight to the ceiling throughout the full range of cataloged air volumes. Excellent for variable air volume applications.

| | | |
|-------------------------|--------------|------------------|
| Standard Models: | 5050P | 13mm Slot |
| | 5075P | 19mm Slot |
| | 5010P | 25mm Slot |

- Features:**
- Standard nominal lengths are 600, 900, 1000, 1200, 1500 and 1800.
 - Widths available to fit Model Series 5000 with 1, 2, 3, 4, 5, 6, 7 or 8 slots.
 - Easily installed with flexible duct.

- Options:**
- Optional internal insulation. Model Series 5000PI
 - ID Inlet dampers are available.

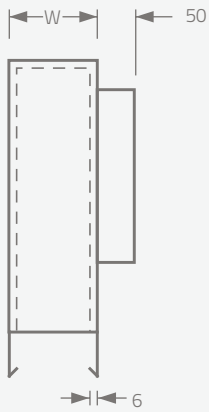
- Material:**
- Galvanised Mild Steel.





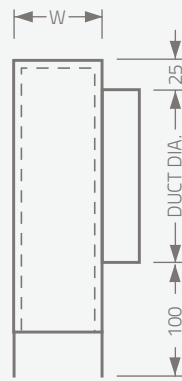
Dimensional Data

Hemmed Edge

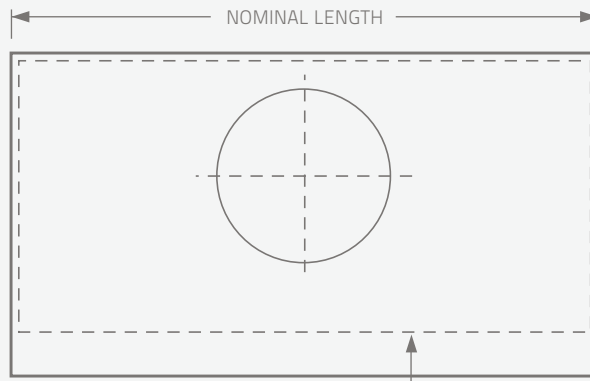


Frame Types:
C, D, N

Straight Edge



Frame Types:
A, B, E, F, FL, G, H, M and T



OPTIONAL INTERNAL
INSULATION

Plenum Width Dimension (W)

| Model | No. of Slots | Plenum Width (W) For Various Frame types mm | |
|-------|--------------|--|---------------|
| | | A, B, FL, M, T | C, D, F, H, N |
| 5350 | 1 | 38 | 51 |
| 5375 | | 44 | 57 |
| 5310 | | 51 | 64 |
| 5350 | 2 | 70 | 83 |
| 5375 | | 83 | 95 |
| 5310 | | 95 | 108 |
| 5350 | 3 | 102 | 114 |
| 5375 | | 121 | 133 |
| 5310 | | 140 | 152 |
| 5350 | 4 | 133 | 146 |
| 5375 | | 159 | 171 |
| 5310 | | 184 | 197 |
| 5350 | 5 | 165 | 178 |
| 5375 | | 197 | 210 |
| 5310 | | 229 | 242 |
| 5350 | 6 | 197 | 210 |
| 5375 | | 235 | 248 |
| 5310 | | 273 | 286 |
| 5350 | 7 | 229 | 242 |
| 5375 | | 273 | 286 |
| 5310 | | 318 | 331 |
| 5350 | 8 | 260 | 273 |
| 5375 | | 311 | 324 |
| 5310 | | 362 | 375 |

Plenum available in Lengths (N) of 600, 900, 1000, 1200, 1500 & 1800mm.

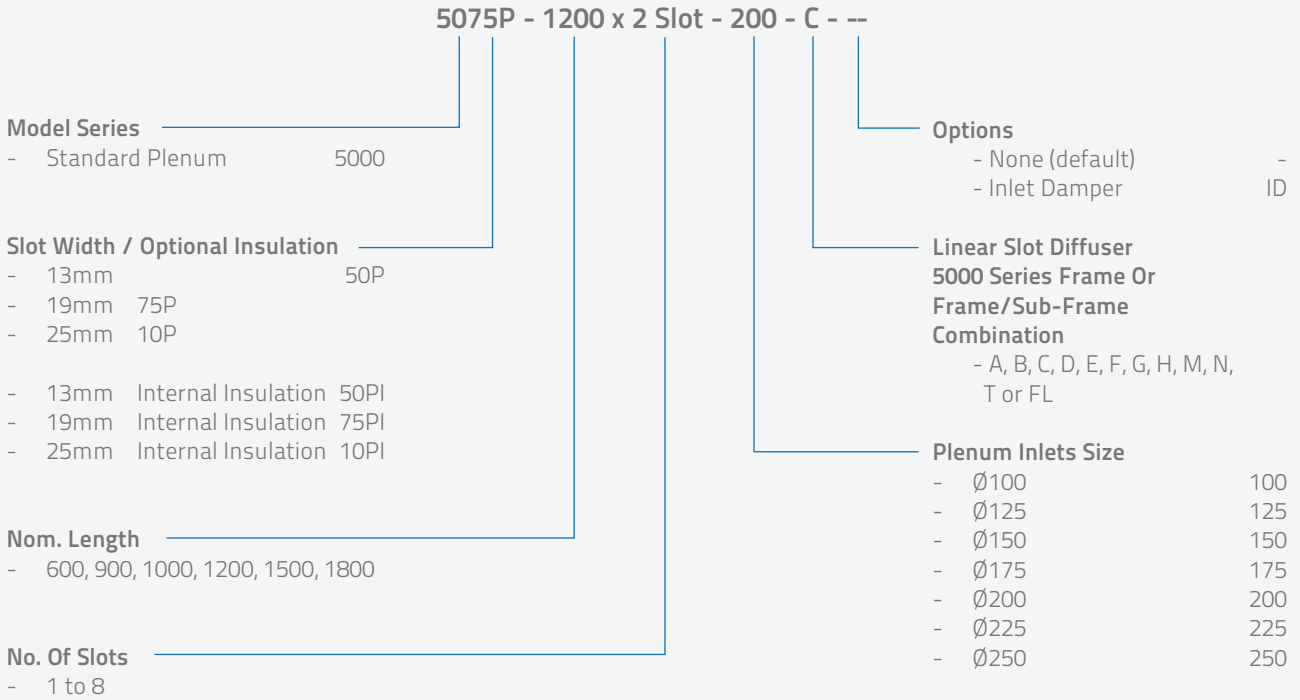
Standard Plenum Duct Diameters are offered.

For Non-standard sizes, please contact Advanced Air.

Standard Duct Diameters: 100, 125, 150, 175, 200, 225 & 250mm

How To Specify or To Order

Linear Slot Diffuser Plenums ■ Model Series 5000



(Show complete Model Number and Size, unless "Default" is desired)

Notes:

1. Plenums are shipped loose as standard for site installation.
2. Plenums for frame/sub-frame types A, B, E, F, G, H, M and N are for direct attachment to diffuser neck or sub-frame.
3. Plenums for frame types C and D are hemmed for site attachment by use of concealed mounting straps.
4. For lay-in T-Bar installations, specify nominal T-Bar opening length.

